



Illustrated Parts List

Model Series

613400

AIR COOLED

Horizontal Shaft

TYPE NUMBERS:

0001, 0002, 0003, 0004, 0005, 0006, 0007, 0008, 0011, 0012, 0015, 0016, 0017, 0018, 0019, 0020, 0021, 0022, 0023, 0025, 0030, 0032, 0035, 0038, 0039, 0040, 0041, 0042, 0048, 0049, 0052, 0054, 0055, 0076, 0078, 0079, 0080, 0081, 0082, 0083, 0084, 0085, 0087, 0100, 0110, 0111, 0113, 0114, 0115, 0016, 0117, 0118, 0119, 0120, 0121, 0122, 0123, 0125, 0126, 0128, 0129, 0130, 0131, 0132, 0133, 0135, 0136, 0137, 0138, 0140, 0141, 0143, 0145, 0148, 0149, 0151, 0152, 0153, 0155, 0156, 0157, 0161, 0163, 0164, 0165, 0166, 0168, 0169, 0171, 0172, 0173, 0174, 0175, 0177, 0178, 0182, 0183, 0184, 0186, 0187, 0188, 0189, 0192, 0193, 0194, 0196, 0198, 0200, 0201, 0202, 0204, 0206, 0207, 0209, 0210, 0211, 0214, 0215, 0216, 0218, 0219, 0220, 0221, 0222, 0223, 1035, 1038, 1048, 1076, 1079, 1111, 1113, 1115, 1117, 1118, 1121, 1126, 1129, 1130, 1131, 1133, 1136, 1137, 1138, 1141, 1143, 1145, 1151, 1153, 1155, 1157, 1161, 1165, 1166, 1168, 1169, 1171, 1174, 1175, 1177, 1178, 1180, 1181, 1182, 1183, 1184, 1186, 1189, 1192, 1193, 1194, 1199, 1200, 1201, 1202, 1310, 1313, 2048, 2111, 2112, 2116, 2118, 2121, 2129, 2130, 2133, 2136, 2140, 2141, 2151, 2152, 2161, 2163, 2171, 2172, 2174, 2177, 2178, 2180, 2182, 2184, 2186, 2188, 2190, 2192, 2193, 2194, 2196, 2199, 2200, 2201, 2310, 3035, 3038, 3048, 3076, 3078, 3079, 3111, 3141.



PRINTED IN U.S.A.

COPYRIGHT by BRIGGS & STRATTON CORPORATION
All rights reserved. No part of this material may be reproduced or transmitted, in any form or by any means, electronic or mechanical, including photocopying, recording or by any information storage and retrieval system, without permission in writing from Briggs & Stratton Corporation.

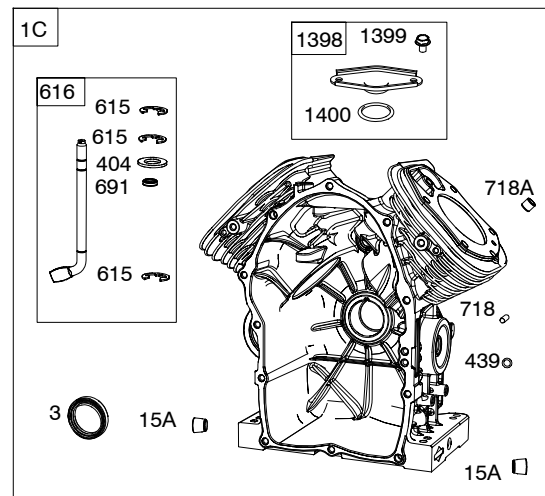
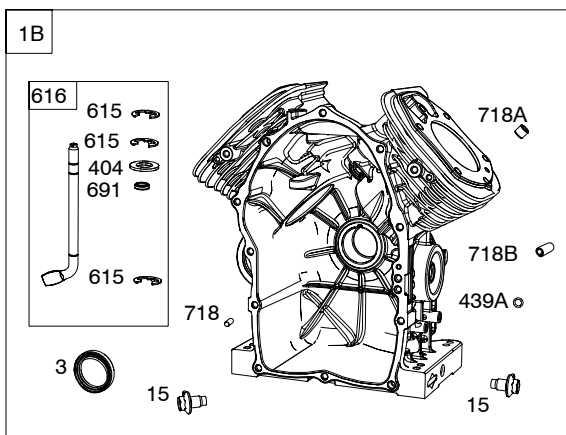
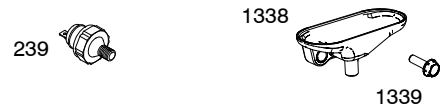
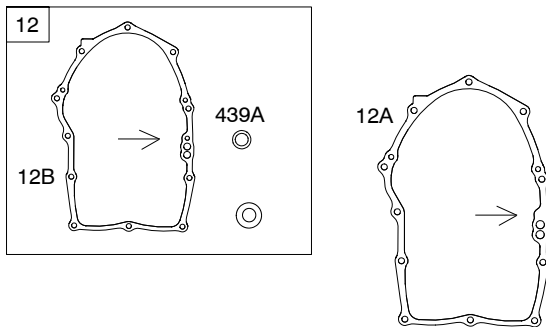
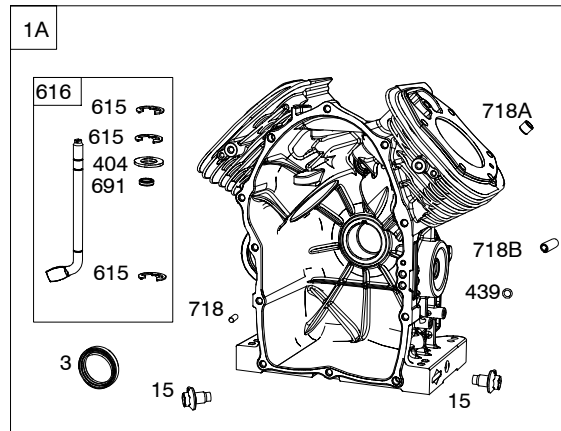
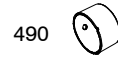
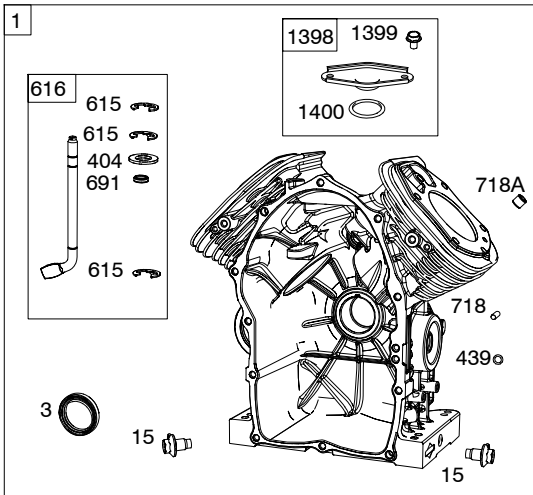
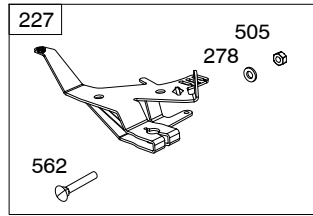
613400

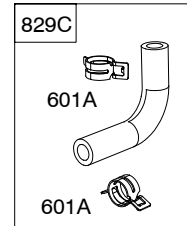
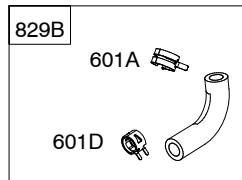
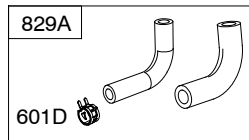
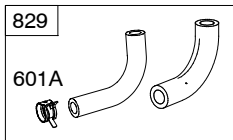
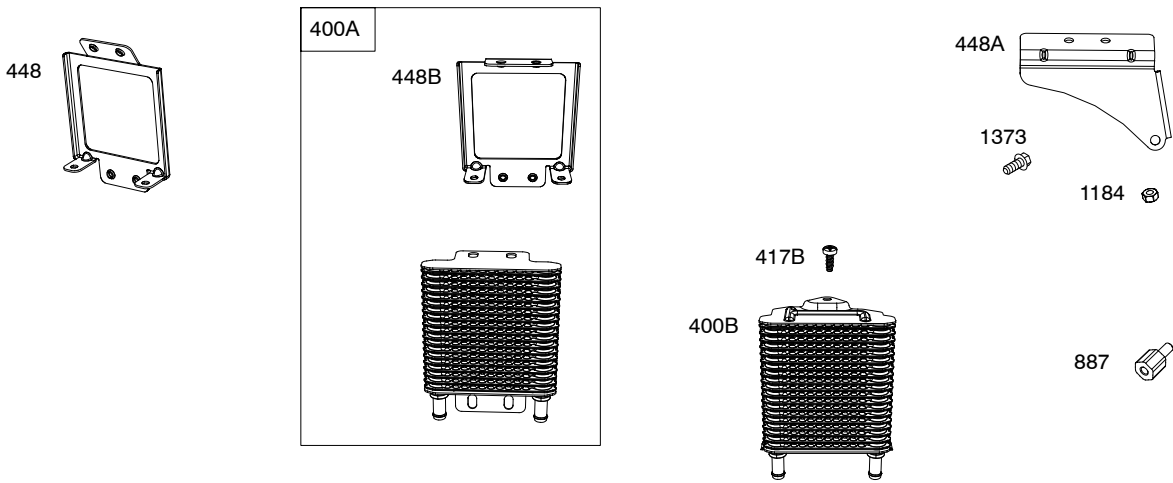
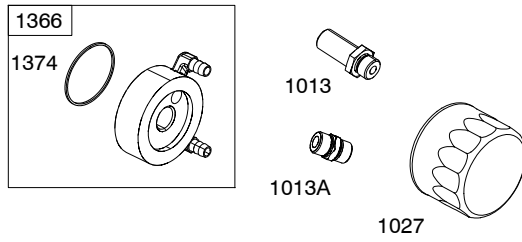
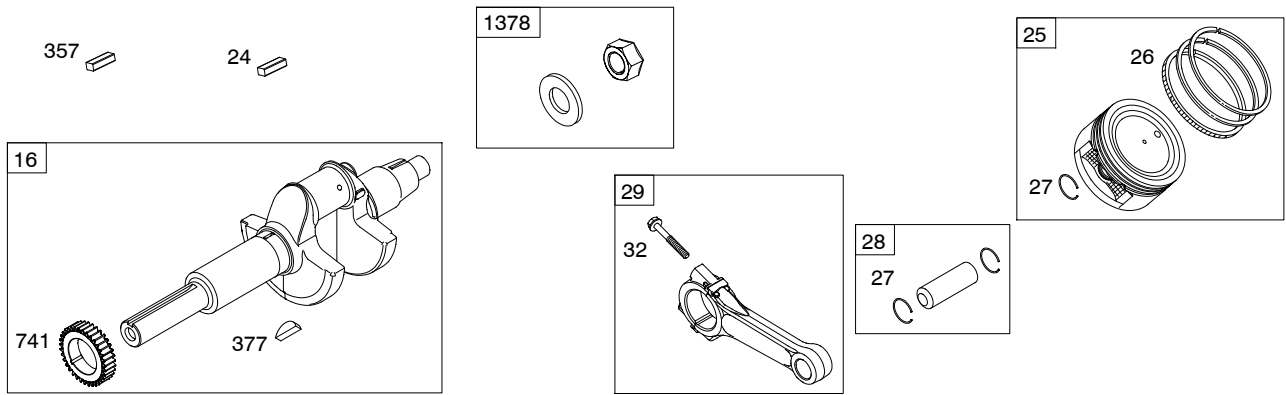
1036

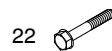
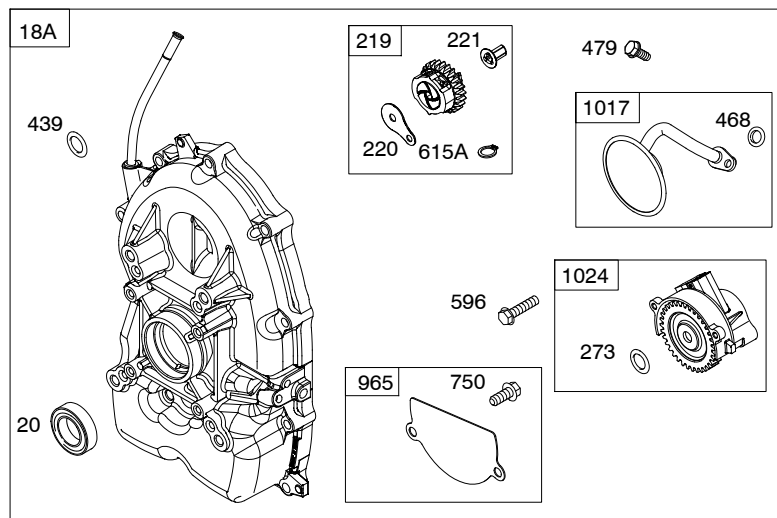
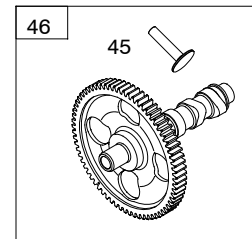
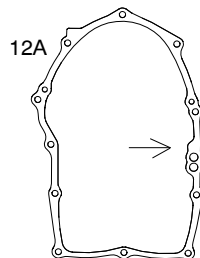
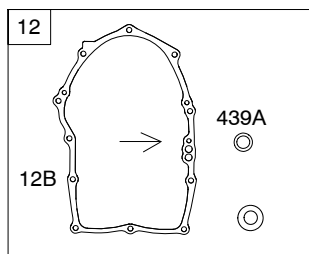
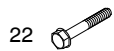
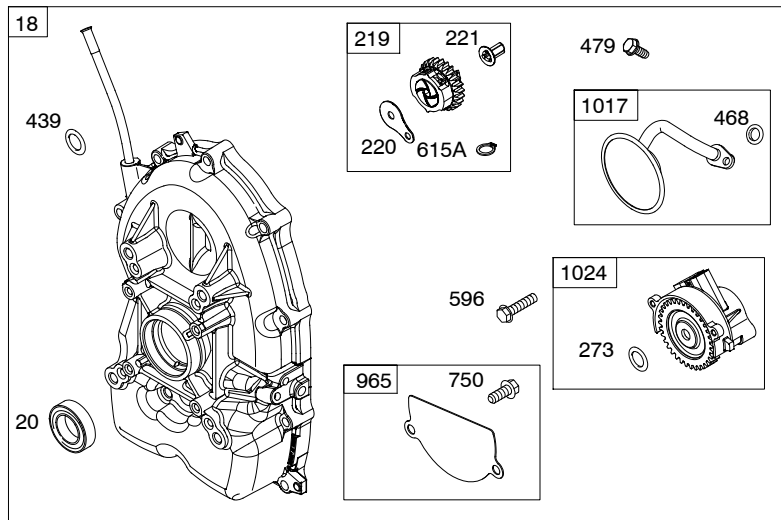
1058

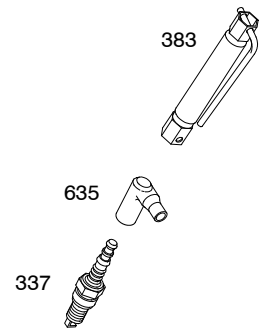
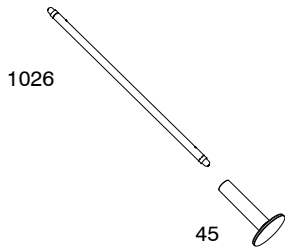
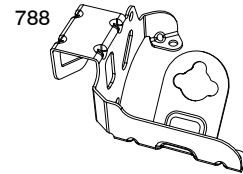
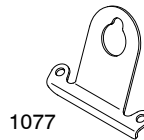
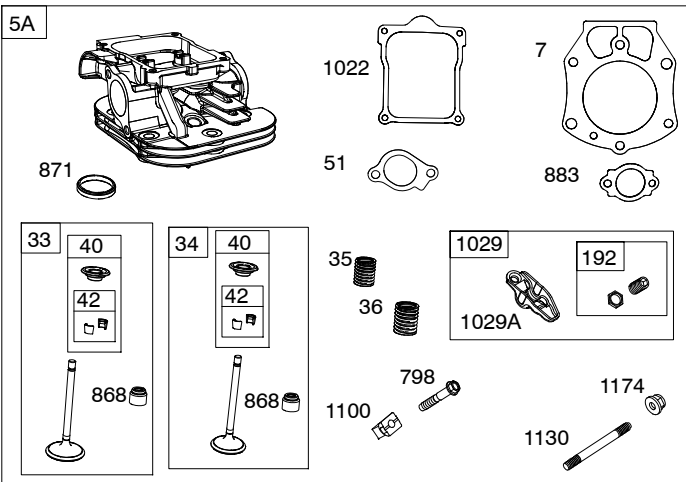
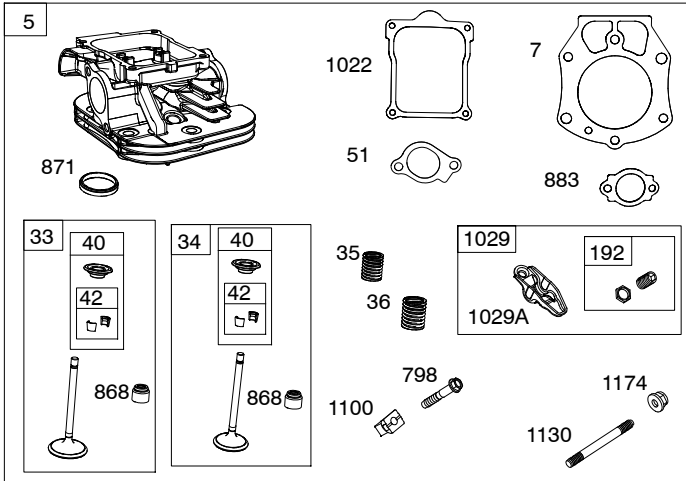
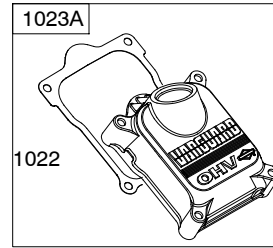
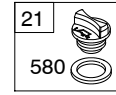
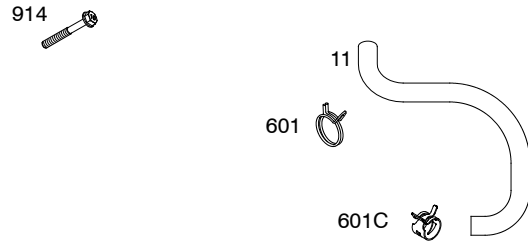
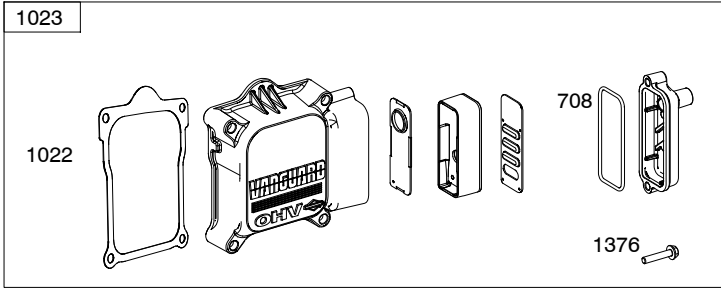
1319

1330

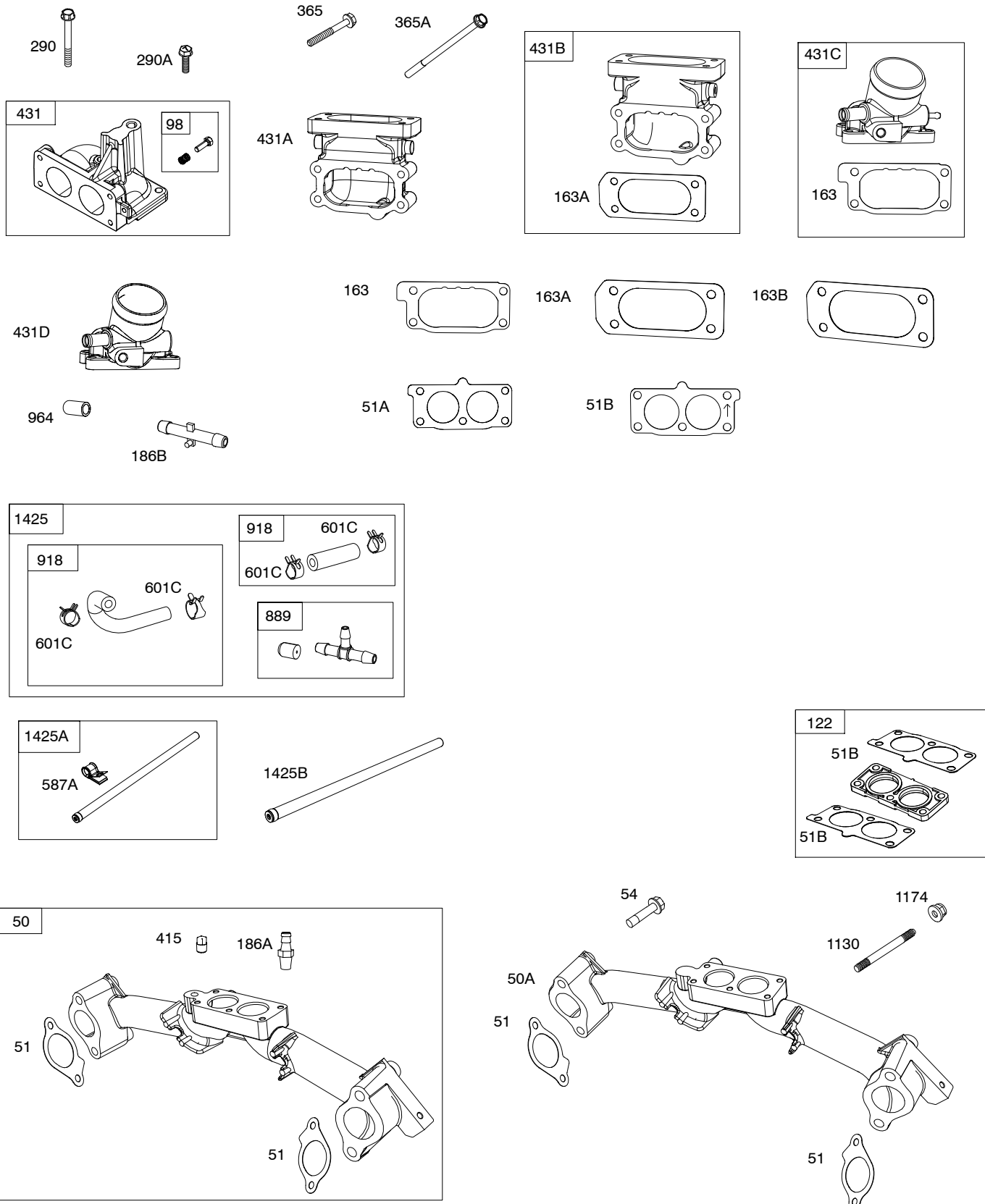


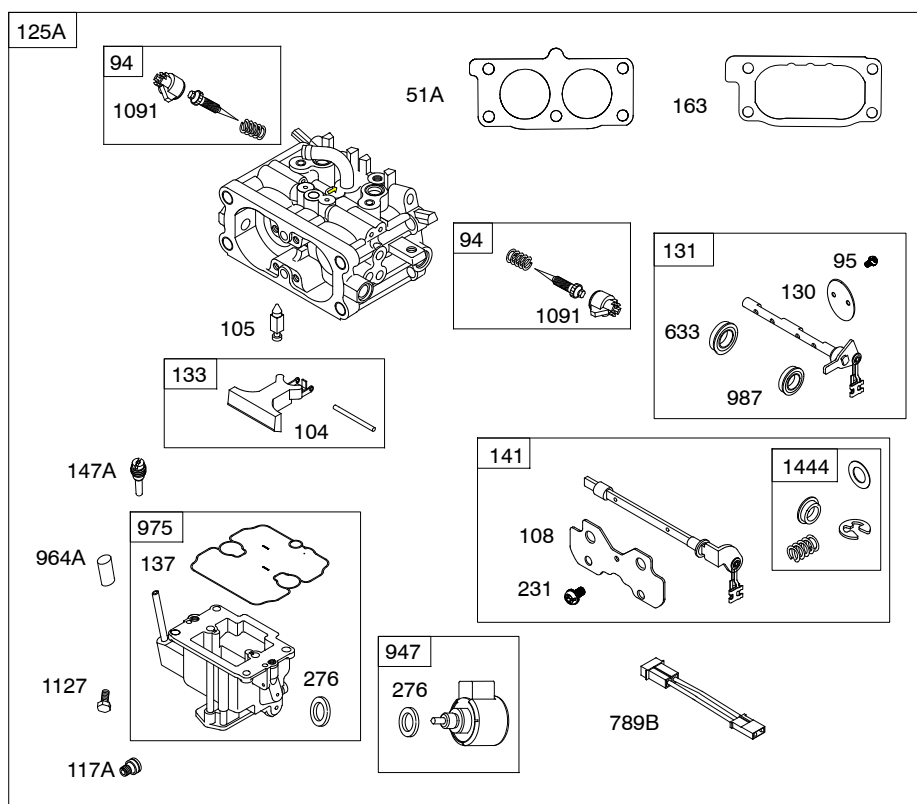
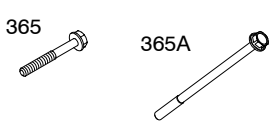
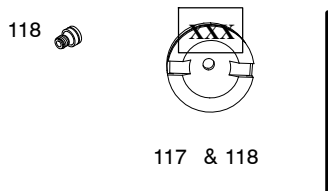
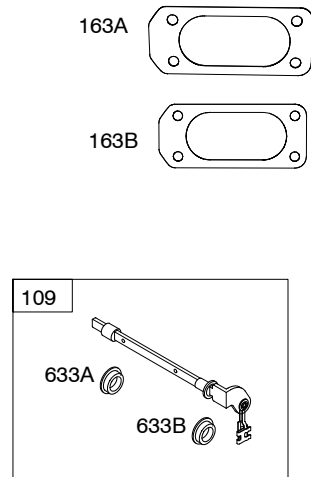
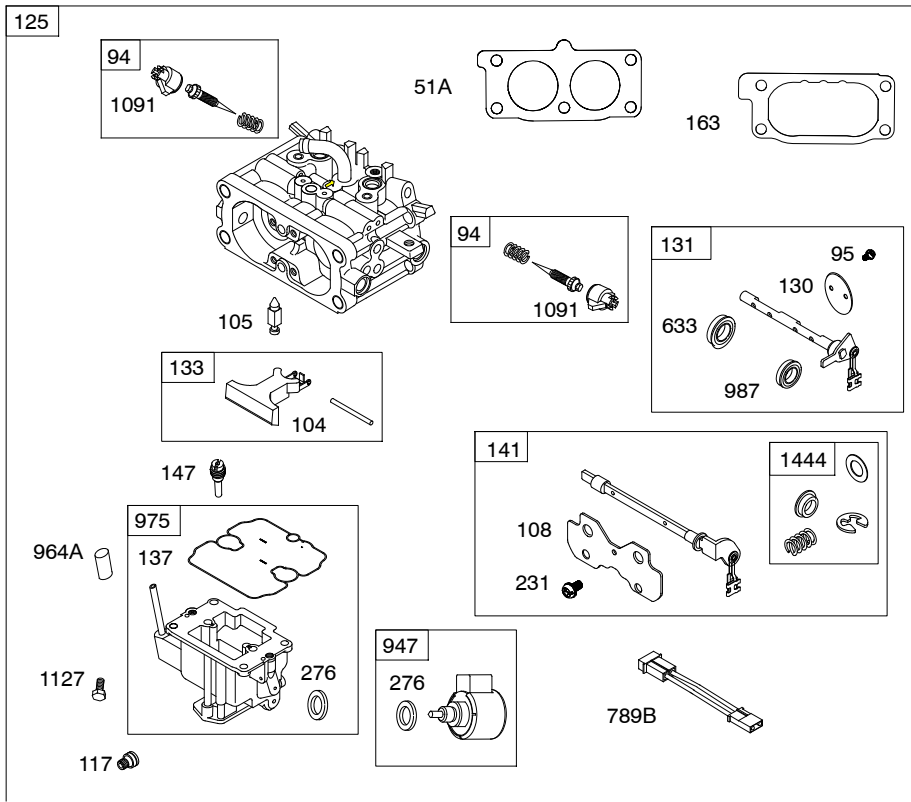




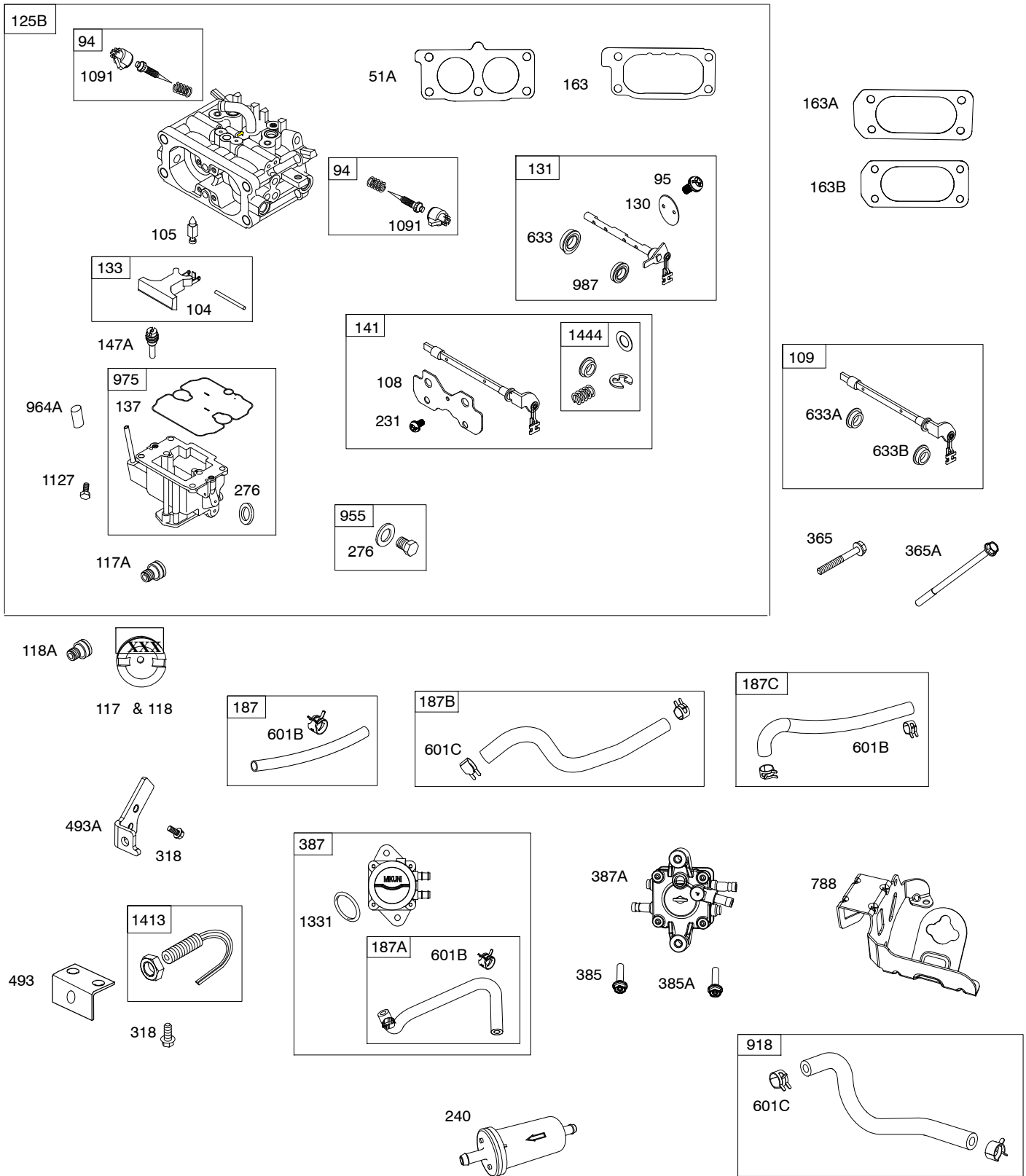


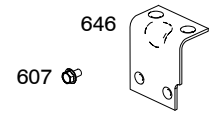
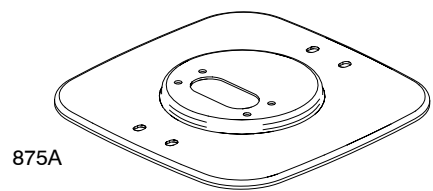
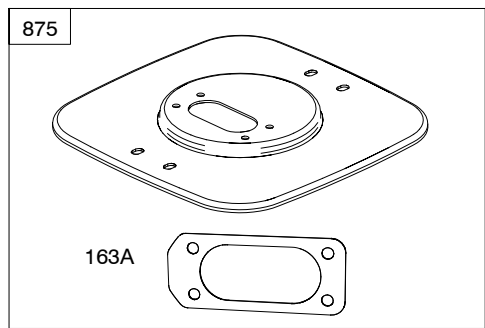
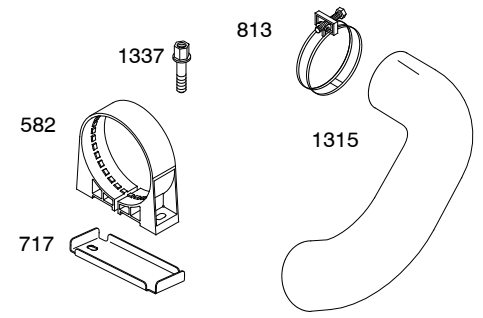
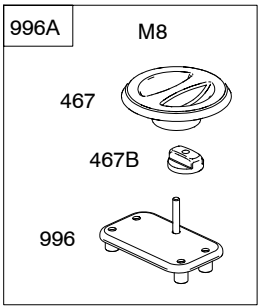
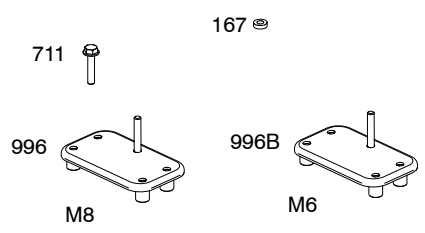
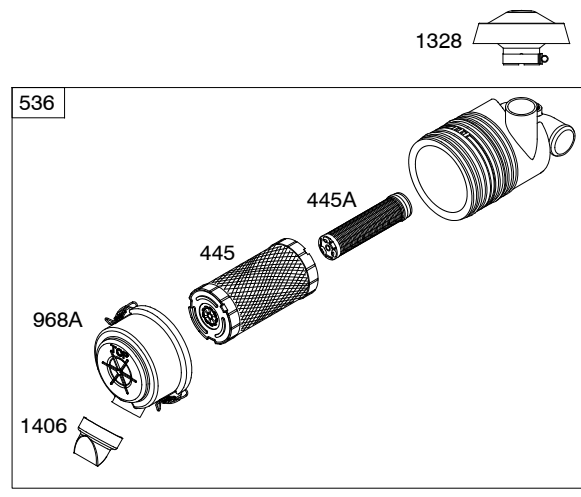
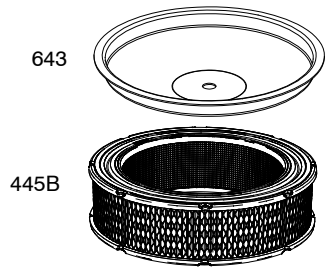
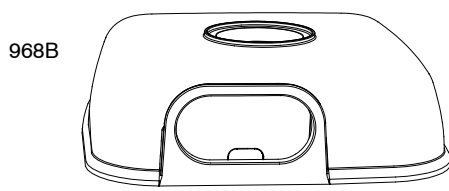
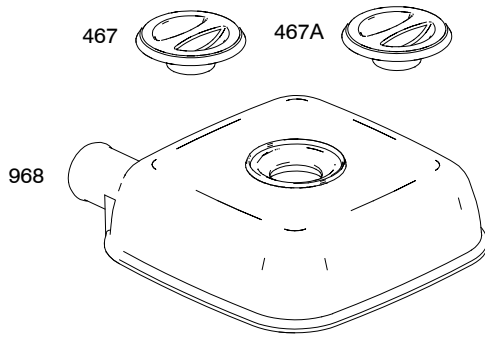
613400



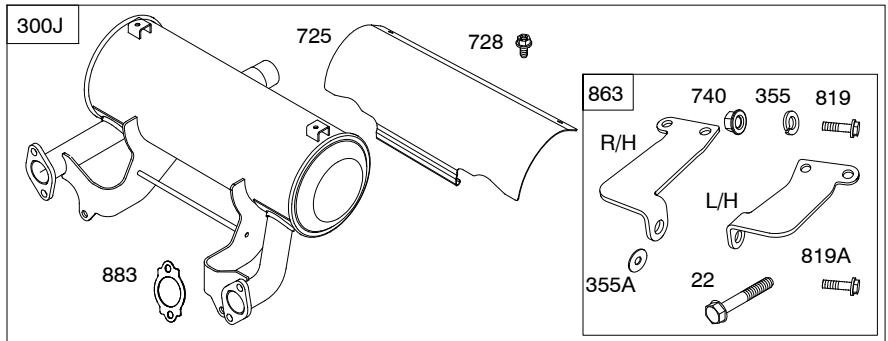
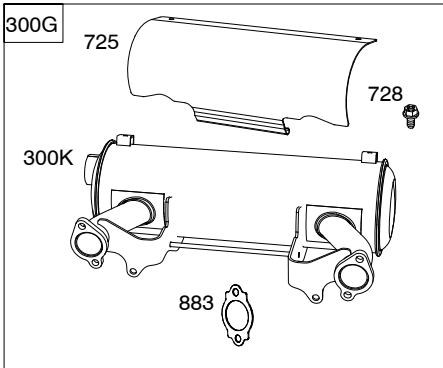
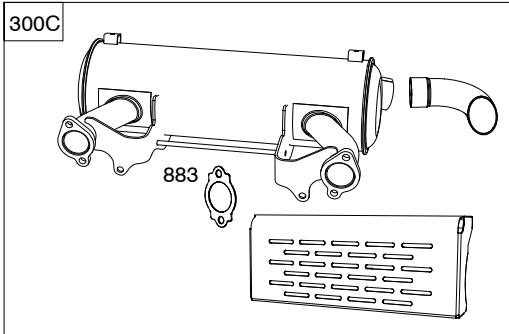
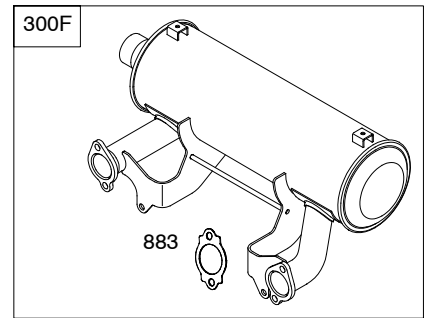
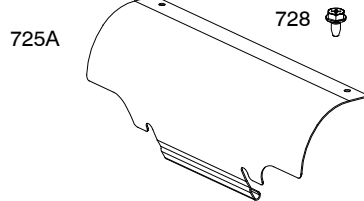
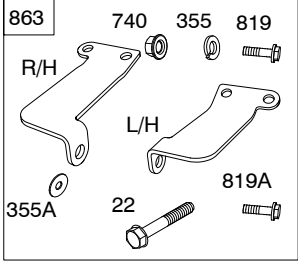
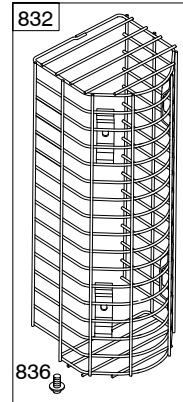
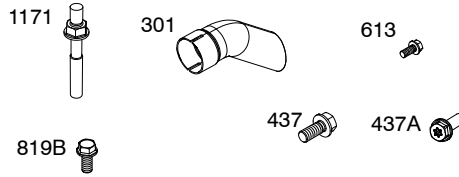
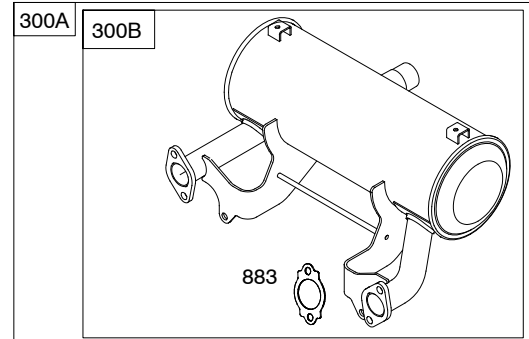
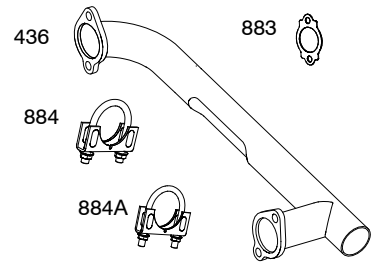
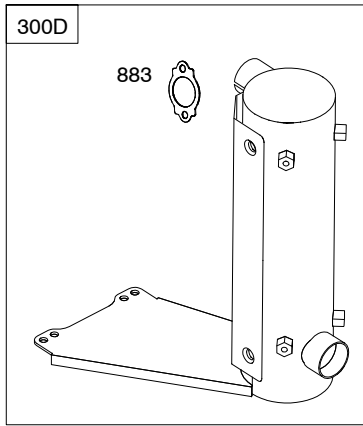
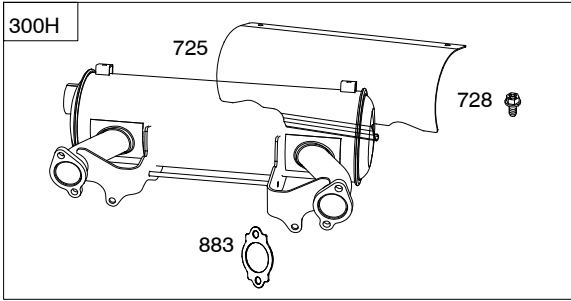


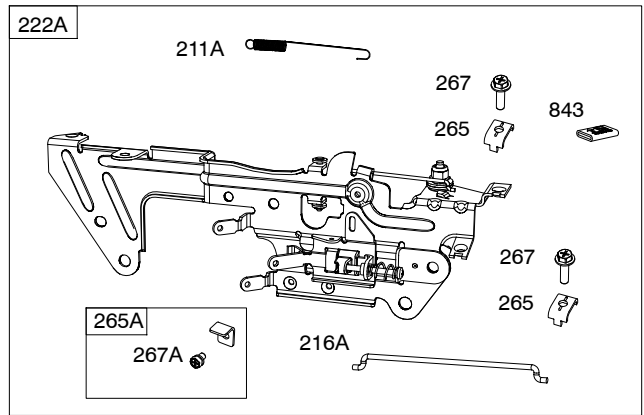
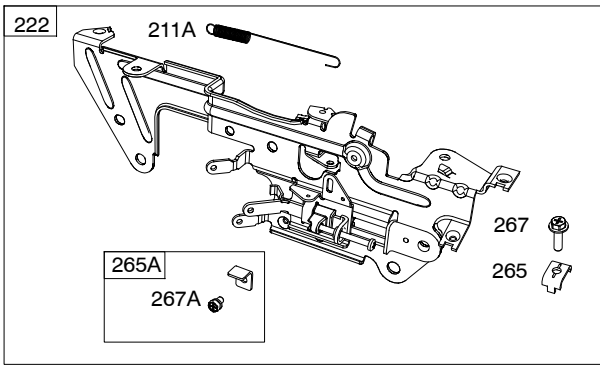
613400



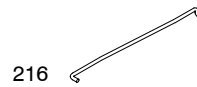
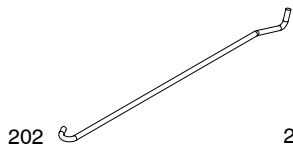
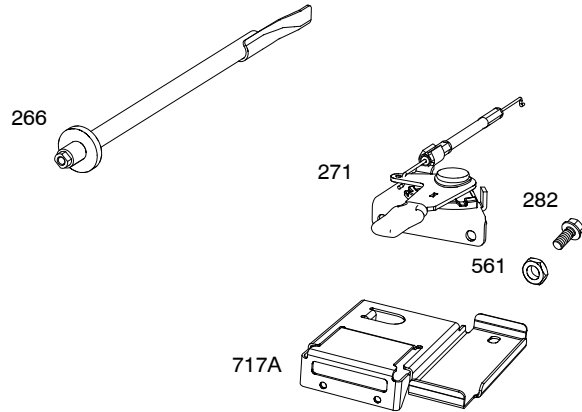
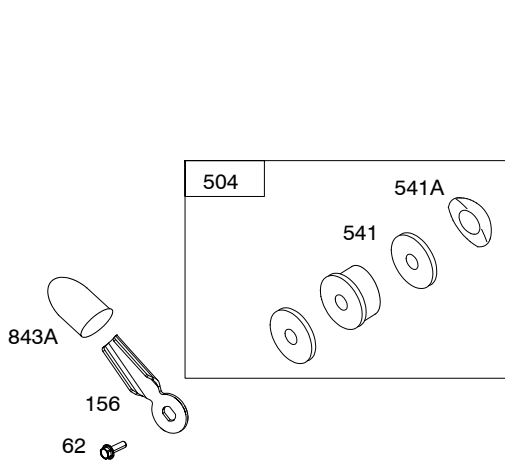
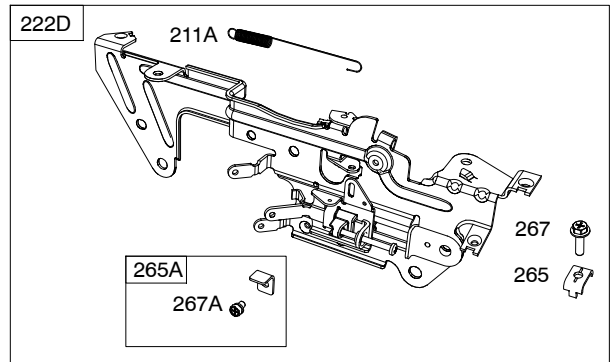
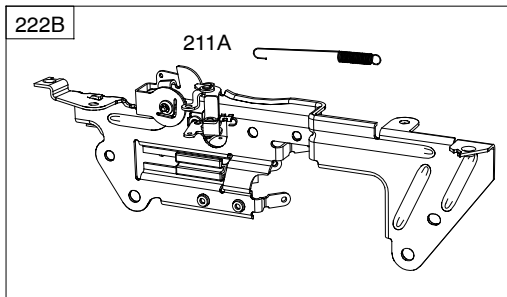


613400



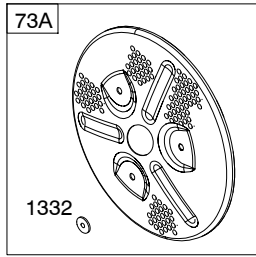
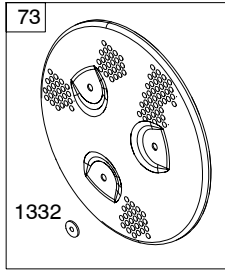
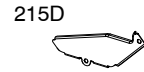
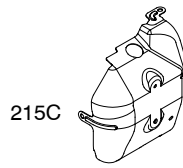
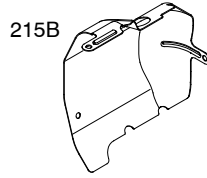
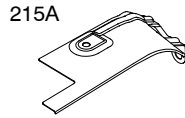
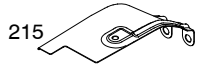


188

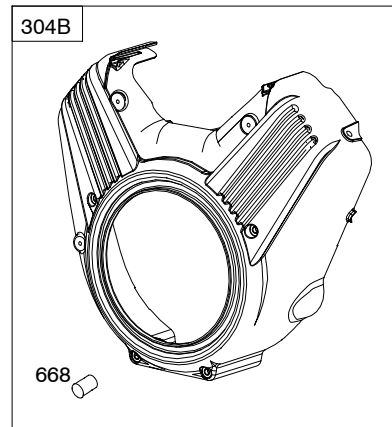
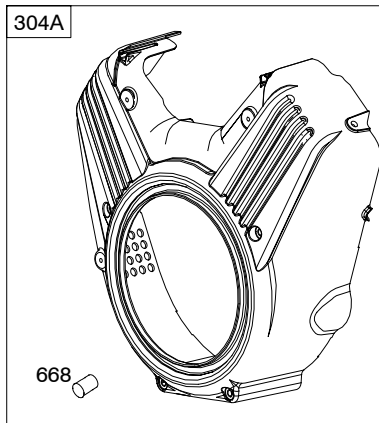
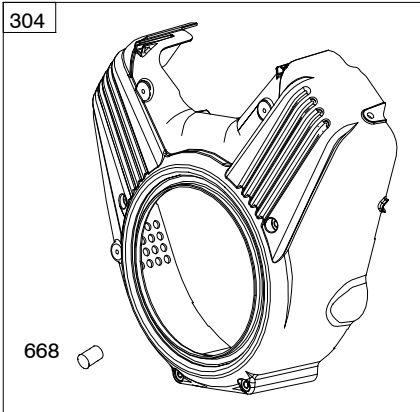
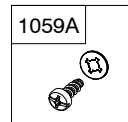
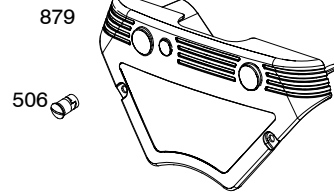
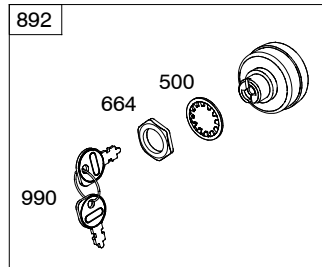
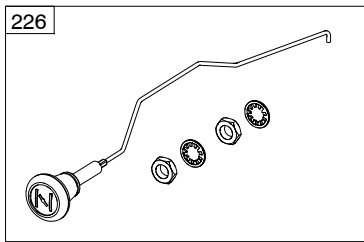
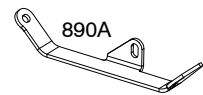


613400

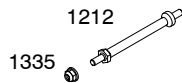
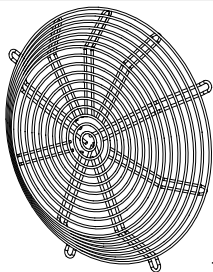
1334 1334A 1334B 1334C 1334D



74

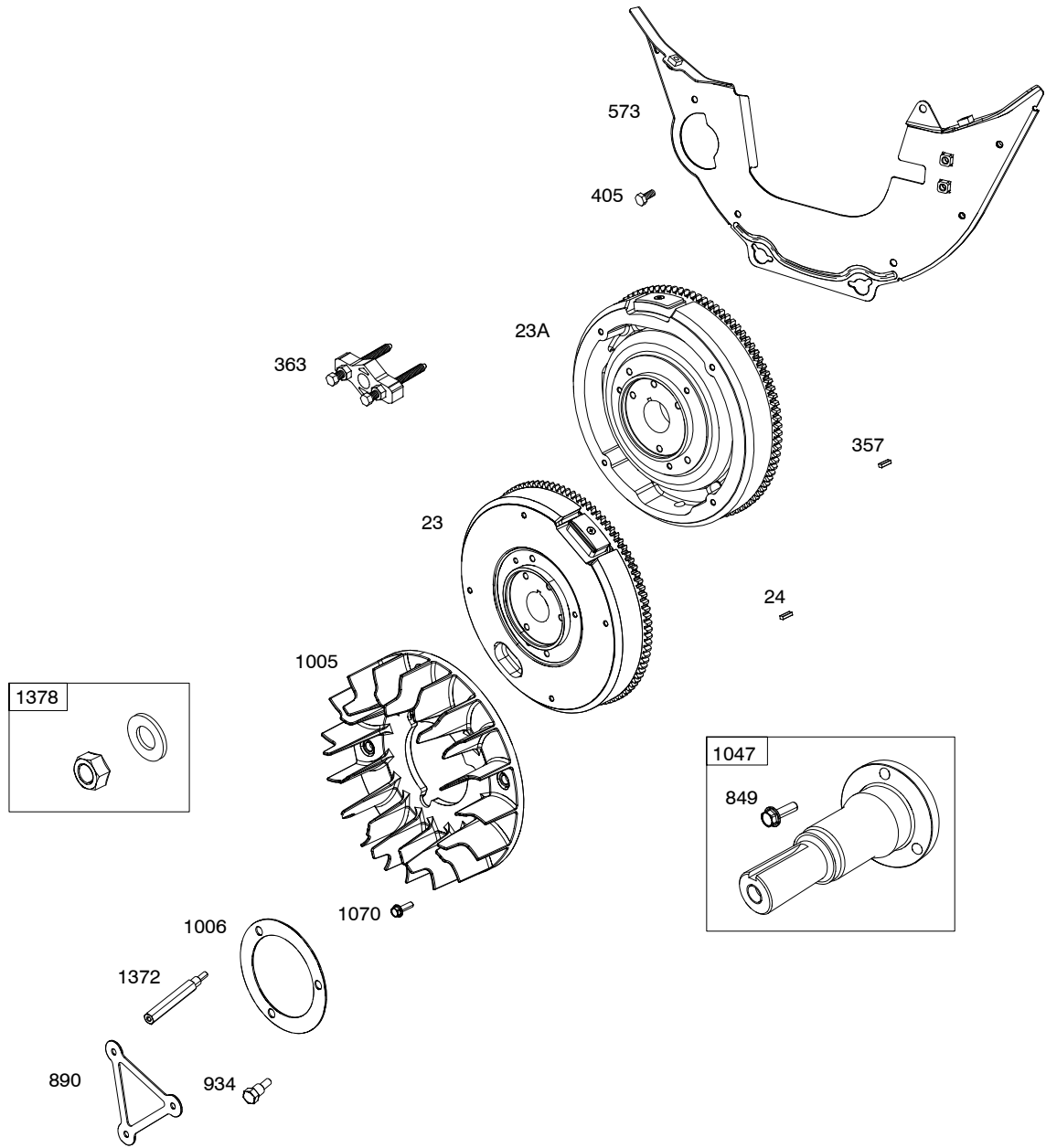


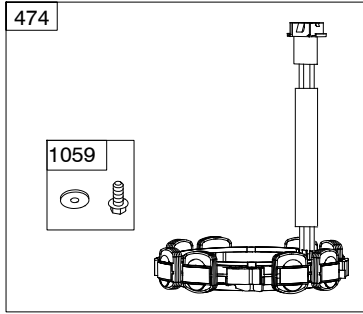
1370




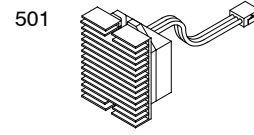
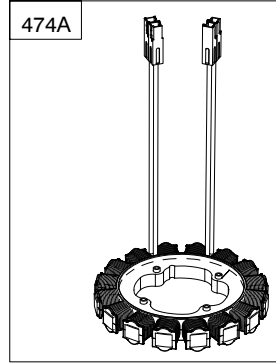
305

529

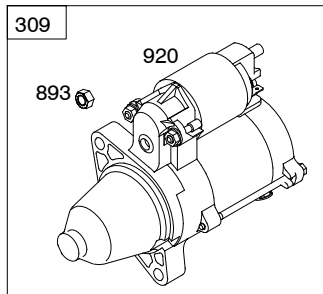
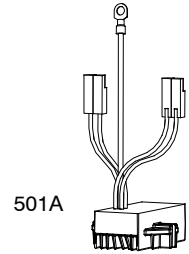


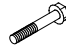


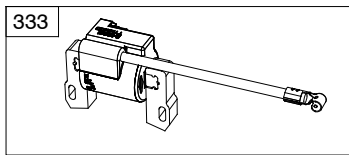
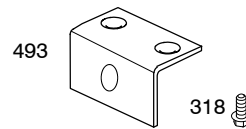
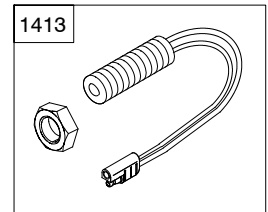
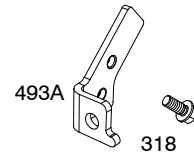
1119 



526 

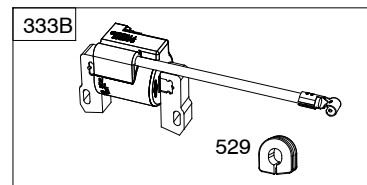
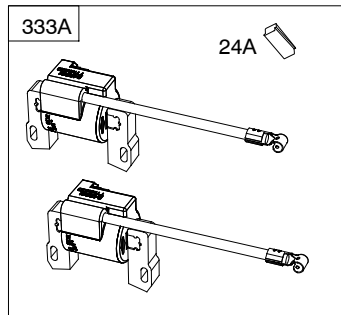


1009 

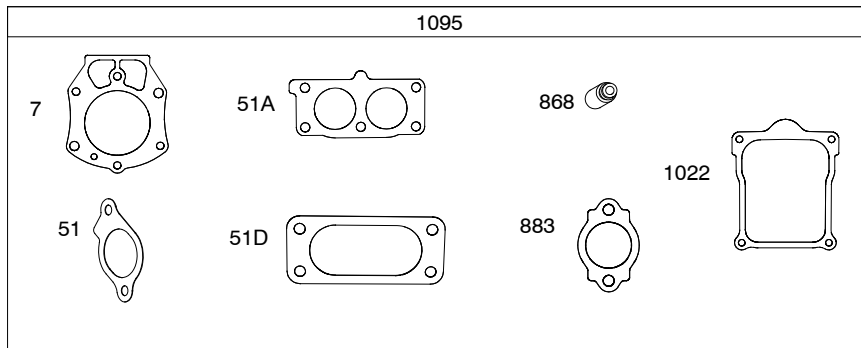
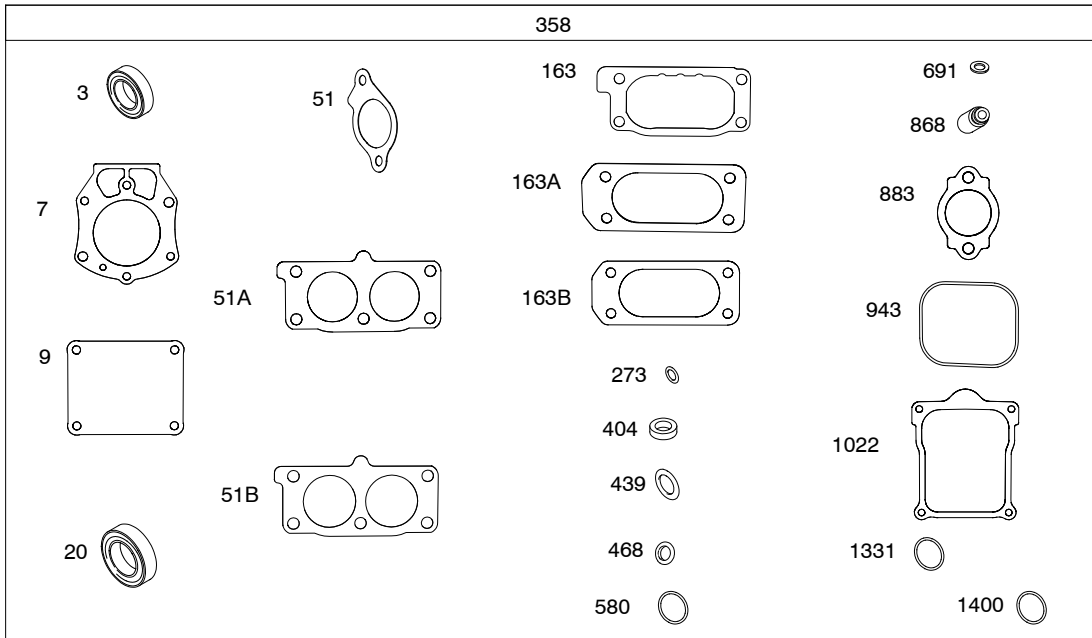
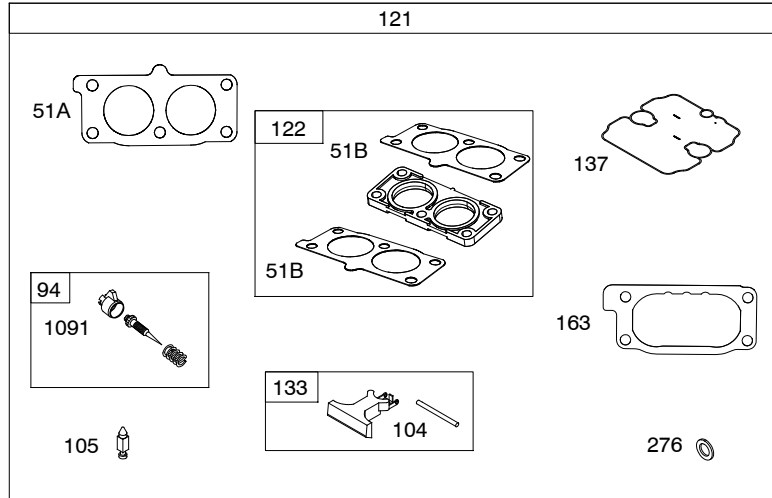


529 

334 







REF. NO.	PART NO.	DESCRIPTION	REF. NO.	PART NO.	DESCRIPTION	REF. NO.	PART NO.	DESCRIPTION								
1	845756	Cylinder Assembly			0192, 0196, 0201,	20	841596	Seal-Oil								
1A	846178	Cylinder Assembly Used on Type No(s). 0006, 0007, 0023, 0032, 0039, 0218, 2194.			0216, 0222, 1079, 1115, 1117, 1118, 1129, 1130, 1133, 1136, 1165, 1171, 1189, 1199, 2118, 2129, 2130, 2133, 2136, 2171, 2172, 2174, 2178, 2192, 2196, 2199, 3079.			(PTO Side)								
		----- Note -----			842268 Crankshaft Used on Type No(s). 0011, 0017, 0040, 0076, 0116, 0126, 0206, 0218, 1076, 1126, 1201, 2116, 2201, 3076.	21	843464	Cap-Oil Fill								
		846181 Cylinder Assembly Used on Type No(s). 0011, 0012, 0022, 0030, 0040, 0041, 0082, 0214, 2193.			843609 Crankshaft Used on Type No(s). 0019, 0038, 0078, 0110, 0140, 0143, 0145, 0153, 0183, 0188, 0211, 0215, 0223, 1038, 1143, 1145, 1153, 1183, 1194, 2188, 3038, 3078.	22	807362	Screw (Crankcase Cover/Sump) (M8x50mm)								
1B	846191	Cylinder Assembly Used on Type No(s). 1175.			843354 Crankshaft Used on Type No(s). 0169, 0175, 1169, 1175, 1192.	23	844385	Flywheel ----- Note ----- 844791 Flywheel Used on Type No(s). 0011, 0012, 0022, 0030, 0040, 0041, 0082, 0085, 0193, 2112, 2193.								
1C	843437	Cylinder Used on Type No(s). 0017.			843445 Crankshaft Used on Type No(s). 0173, 0219.	23A	844653	Flywheel Used on Type No(s). 0006, 0007, 0020, 0023, 0032, 0039, 0194, 0218, 1313, 2194.								
3	841596	Seal-Oil			845922 Crankshaft Used on Type No(s). 1313.			----- Note ----- 843328 Flywheel Used on Type No(s). 0081, 0084, 0174, 0182, 0207, 0221, 1180, 1182, 1310, 2174, 2180, 2182, 2310.								
5	845588	Head-Cylinder (Cylinder #1)			18	844792	Cover-Crankcase ----- Note ----- 846177 Cover- Crankcase Used on Type No(s). 0006, 0007, 0011, 0012, 0022, 0023, 0030, 0032, 0039, 0040, 0041, 0082, 0214, 0218, 2193, 2194.			24	796335	Key-Flywheel (Steel) (Used After Code Date 07122700). ----- Note ----- 222698s Key- Flywheel (Aluminum) (Used Before Code Date 07122800).				
5A	845590	Head-Cylinder (Cylinder #2)			845934 Cover-Crankshaft Used on Type No(s). 1313.			24A	843837	Key-Flywheel (Offset Key) (Aluminum)			25	841837	Piston Assembly (Standard) ----- Note ----- 842939 Piston Assembly (.020" Oversize)	
7	809730	Gasket-Cylinder Head														
9	842545	Gasket-Breather														
11	809736	Tube-Breather														
12	846037	Gasket-Crankcase (Used After Code Date 13072100).														
12A	844107	Gasket-Crankcase (Used Before Code Date 13072200). ----- Note ----- 844107 Gasket- Crankcase (Used After Code Date 10121300). Used on Type No(s). 1175.														
12B	843969	Gasket-Crankcase														
13	809784	Screw (Cylinder Head)														
15	807392	Plug-Oil Drain														
15A	691680	Plug-Oil Drain														
16	841839	Crankshaft ----- Note ----- 841844 Crankshaft Used on Type No(s). 0002, 0003, 0018, 0079, 0080, 0083, 0114, 0115, 0117, 0118, 0129, 0130, 0133, 0135, 0136, 0148, 0165, 0171, 0172, 0174, 0189,														

Carburetor Overhaul Kit - Reference 121
Engine Gasket Set - Reference 358

Valve Gasket Set - Reference 1095

613400

REF. NO.	PART NO.	DESCRIPTION	REF. NO.	PART NO.	DESCRIPTION	REF. NO.	PART NO.	DESCRIPTION
26	809972	Ring Set (Standard) ----- Note ----- 841932 Piston Assembly (.020" Oversize)	51	841592	Gasket-Intake (Intake Manifold)	118	842738	Jet-Main (High Altitude) (5000 > 9000 Feet) (Left Jet) (#148) ----- Note -----
27	807351	Lock-Piston Pin	51A	809910	Gasket-Intake (Diameter = 30.5mm)			842739 Jet-Main (High Altitude) (5000 > 9000 Feet) (Right Jet) (#154)
28	807361	Pin-Piston	51B	841882	Gasket-Intake (Diameter = 32mm)	118A	843376	Jet-Main (High Altitude) (5000 > 9000 Feet) (Left Jet) (#134) ----- Note -----
29	841838	Rod-Connecting	51D	843455	Gasket-Intake			843587 Jet-Main (High Altitude) (5000 > 9000 Feet) (Right Jet) (#140)
32	807363	Screw (Connecting Rod)	54	844656	Screw (Intake Manifold) (M8x69mm)	121	843297	Kit- Carburetor Overhaul
33	843729	Valve-Exhaust	62	841233	Screw (Speed Adjustor Lever)	122	844713	Spacer-Carburetor
34	843730	Valve-Intake	73	841840	Screen-Rotating	125	845273	Carburetor (Fuel Solenoid)
35	809374	Spring-Valve (Intake) (White) ----- Note ----- 845589 Spring-Valve (Intake) (Pink) Used on Type No(s). 0006, 0007, 0011, 0012, 0020, 0022, 0023, 0032, 0039, 0040, 0041, 0043, 0044, 0082, 0085, 0218, 1313, 2112, 2193, 2194.	73A	842248	Screen-Rotating (Stub Shaft Hole)	125A	845329	Carburetor (Fuel Solenoid) Used on Type No(s). 0001, 0017, 0019, 0020, 0035, 0038, 0052, 0085, 0087, 0110, 0114, 0115, 0116, 0121, 0123, 0128, 0136, 0140, 0141, 0143, 0145, 0149, 0152, 0155, 0164, 0165, 0166, 0168, 0169, 0172, 0173, 0174, 0175, 0177, 0178, 0182, 0183, 0184, 0187, 0188, 0198, 0200, 0206, 0215, 0216, 0219, 0221, 0223, 1035, 1038, 1115, 1121, 1136, 1141, 1145, 1155, 1165, 1166, 1168, 1169, 1174, 1175, 1177, 1178, 1180, 1181, 1182, 1183, 1184, 1201, 1202, 1313, 2112, 2116, 2121, 2136, 2141, 2152, 2172, 2174, 2177,
36	809374	Spring-Valve (Exhaust) (White) ----- Note ----- 845589 Spring-Valve (Exhaust) (Pink) Used on Type No(s). 0006, 0007, 0011, 0012, 0020, 0022, 0023, 0032, 0039, 0040, 0041, 0043, 0044, 0082, 0085, 0218, 1313, 2112, 2193, 2194.	74	809947	Screw (Rotating Screen)			
40	844788	Retainer-Valve	94	843295	Kit-Idle Mixture			
42	807683	Keeper-Valve	95	690718	Screw (Throttle Valve)			
45	809785	Tappet-Valve	98	841842	Kit-Idle Speed (Intake Elbow)			
46	809879	Camshaft	104	690739	Pin-Float Hinge			
50	844340	Manifold-Intake (Used After Code Date 08123100).	105	809759	Valve-Float Needle			
50A	841591	Manifold-Intake (Used Before Code Date 09010100).	108	844652	Valve-Choke			
			109	841914	Shaft-Choke (Used Before Code Date 10101500).			
			117	842095	Jet-Main (Standard) (Left Jet) (#152) ----- Note ----- 844649 Jet-Main (Standard) (Right Jet) (#158)			
			117A	843365	Jet-Main (Standard) (Left Jet) (#138) ----- Note ----- 842098 Jet-Main (Standard) (Right Jet) (#144)			

Carburetor Overhaul Kit - Reference 121
Engine Gasket Set - Reference 358

Valve Gasket Set - Reference 1095

REF. NO.	PART NO.	DESCRIPTION	REF. NO.	PART NO.	DESCRIPTION	REF. NO.	PART NO.	DESCRIPTION	
		2180, 2182, 2184, 2188, 2190, 2201, 3035, 3038, 3141.	187A	844082	Line-Fuel (Fuel Pump to Carburetor) (Check Valve)			2193, 2194. 845863 Spring- Governor (Silver Fog)	
125B	845718	Carburetor (Non-Solenoid) Used on Type No(s). 0006, 0007, 0011, 0012, 0022, 0023, 0030, 0032, 0039, 0040, 0041, 0082, 0156, 0157, 0193, 0194, 0214, 0218, 1157, 2193, 2194, 2200.	187B	844524	Line-Fuel (Formed Hose)			Used on Type No(s). 0006, 0007, 0011, 0012, 0023, 0030, 0032, 0039, 0040, 0041, 0218.	
			187C	791801	Line-Fuel (Formed Hose) (Cut to Required Length)			842743 Spring- Governor (Dark Green) Used on Type No(s). 0116, 0211, 1202, 2116.	
130	841913	Valve-Throttle	188	692062	Screw (Control Bracket)			809874 Spring- Governor (Black) Used on Type No(s). 1180, 2180.	
131	845038	Kit-Throttle Shaft	192	690083	Adjuster-Rocker Arm			841012 Spring- Governor (Yellow) Used on Type No(s). 2188.	
133	809637	Float-Carburetor	202	841322	Link- Mechanical Governor			211	809875 Spring-Governed Idle (White) ----- Note ----- 843625 Spring- Governed Idle (Light Blue) Used on Type No(s). 0022, 0023, 0081, 0082, 0083, 0153, 0156, 0157, 0207, 0214, 0221, 1153, 1157, 1180, 1181, 1194, 1310, 2140, 2180, 2200, 2310.
137	809645	Gasket-Float Bowl	209	841684	Spring-Governor (Green)			211A	690707 Spring-Governed Idle (Control Bracket) (White)
141	845036	Kit-Choke Shaft			----- Note ----- 841500 Spring- Governor (Purple) Used on Type No(s). 0003, 0018, 0022, 0035, 0038, 0076, 0078, 0082, 0083, 0121, 0122, 0126, 0128, 0130, 0132, 0136, 0140, 0148, 0149, 0156, 0157, 0168, 0173, 0174, 0186, 0192, 0206, 0214, 0215, 0216, 0219, 0222, 1035, 1038, 1076, 1121, 1126, 1130, 1136, 1157, 1168, 1186, 2121, 2130, 2136, 2174, 2186, 2192, 2200, 3035, 3038, 3076, 3078.			215	809728 Guide-Air (Cylinder #1)
147	842069	Jet-Pilot (Stamp Mark #50)			842049 Spring- Governor (Red) Used on Type No(s). 0019, 0110, 0143, 0145, 0183, 0188, 0223, 1143, 1145, 1183, 2188.			215A	809737 Guide-Air (Cylinder #2)
147A	842740	Jet-Pilot (Stamp Mark #52)			843561 Spring- Governor (Brown) Used on Type No(s). 0020, 0085, 0152, 0169, 0172, 0175, 0193, 0194, 1169, 1175, 1313, 2112, 2152, 2172, 2190,			215B	809897 Guide-Air (Cylinder #2)
156	841522	Lever-Speed Adjuster						215C	809738 Guide-Air (Cylinder #1)
163	807375	Gasket-Air Cleaner						215D	809739 Guide-Air (Valley)
163A	843117	Gasket-Air Cleaner (Used After Code Date 06062200).						216	845297 Link-Choke
163B	841852	Gasket-Air Cleaner (Used Before Code Date 06062300).						216A	841671 Link-Choke (Control Bracket)
167	841855	Seal-Air Cleaner Nut (Used Before Code Date 14012800).							
186A	844568	Connector-Hose (Intake Manifold)							
186B	845121	Connector-Hose (EVAP)							
187	791766	Line-Fuel (15" Long) (Cut to Required Length) ----- Note ----- 791745 Line-Fuel (23" Long) (Cut to Required Length) 841589 Line-Fuel (35" Long) (Cut to Required Length) 845503 Line-Fuel (60" Long) (Cut to Required Length)							

Carburetor Overhaul Kit - Reference 121
Engine Gasket Set - Reference 358

Valve Gasket Set - Reference 1095

613400

REF. NO.	PART NO.	DESCRIPTION	REF. NO.	PART NO.	DESCRIPTION	REF. NO.	PART NO.	DESCRIPTION
219	809426	Gear-Governor	227	809984	Lever-Governor Control	300B	843740	Muffler (Center Outlet) Used on Type No(s). 0004, 0016, 0025, 0035, 0042, 0054, 0080, 0087, 0121, 0122, 0128, 0138, 0157, 0202, 1035, 1121, 1138, 1157, 2121, 3035.
220	841608	Washer (Governor Gear)	231	690718	Screw (Choke Valve)	300C	841836	Muffler (Starter Motor Side) Used on Type No(s). 0003, 0084, 0130, 0148, 0192, 1130, 2130, 2192.
221	841026	Cup-Governor	232	690545	Spring-Governor Link	300D	842262	Muffler Used on Type No(s). 0021, 0131, 1131.
222	841528	Bracket-Control	239	841281	Switch-Oil Pressure ----- Note ----- 697049 Switch-Oil Pressure Used on Type No(s). 0020, 0085, 0126, 0152, 0196, 1126, 1313, 2112, 2152, 2196.	300F	844672	Muffler Used on Type No(s). 0132, 0186, 1186, 2186.
222A	841492	Bracket-Control Used on Type No(s). 0015, 0017, 0020, 0076, 0080, 0083, 0085, 0100, 0110, 0111, 0116, 0119, 0125, 0126, 0131, 0132, 0133, 0138, 0151, 0152, 0161, 0163, 0165, 0166, 0171, 0174, 0183, 0186, 0187, 0196, 0202, 0207, 0221, 1076, 1111, 1126, 1131, 1133, 1138, 1151, 1161, 1165, 1166, 1171, 1180, 1181, 1186, 1202, 1310, 1313, 2111, 2112, 2116, 2133, 2151, 2152, 2161, 2163, 2171, 2174, 2178, 2180, 2186, 2190, 2196, 2310, 3076, 3111.	240	845125	Filter-Fuel	300G	845741	Muffler (Starter Motor Side Outlet)
			265	691024	Clamp-Casing (Control Bracket)	300H	846153	Muffler (Oil Filter Side) Used on Type No(s). 0001, 0015, 0018, 0083, 0085, 0113, 0137, 0174, 0178, 0206, 0210, 0219, 0221, 1113, 1137, 1178, 1180, 1181, 1193, 1200, 1201, 1313, 2174, 2180, 2201.
			265A	841673	Clamp-Casing (Control Bracket)	300J	846444	Muffler (Stainless Steel Center Outlet) Used on Type No(s). 0006, 0007, 0012, 0022, 0023, 0030, 0032, 0039, 0041, 0082, 2193, 2194.
			266	841521	Control-Throttle	300K	846283	Muffler (Starter Motor Side)
			267	841552	Screw (Casing Clamp) (M5x20mm)	301	841518	Pipe-Exhaust Used on Type No(s). 0126, 0151, 0161, 0163, 1126, 1151, 1161, 1313, 2151, 2161, 2163.
			267A	841672	Screw (Casing Clamp) (M5x8mm)	304	845303	Housing-Blower (Oil Cooler)
			271	692541	Lever-Control (Throttle)			
			273	690681	Seal-O Ring (Oil Pump)			
			276	806476	Washer-Sealing			
			278	842122	Washer (Governor Control Lever)			
			282	841552	Screw (Control Lever)			
			290	809911	Screw (Intake Elbow) (M6x55mm)			
			290A	807421	Screw (Intake Elbow) (M6x25mm)			
222B	841527	Bracket-Control Used on Type No(s). 0001, 0048, 0052, 0079, 0087, 0113, 0114, 0117, 0136, 0137, 0141, 0155, 0169, 0175, 0178, 0182, 0184, 0198, 0200, 0206, 0216, 1048, 1117, 1136, 1141, 1155, 1169, 1174, 1175, 1178, 1182, 1184, 1201, 2136, 2141, 2182, 2184, 2201, 3141.	300A	843741	Muffler (Center Outlet) Used on Type No(s). 0004, 0016, 0025, 0035, 0042, 0054, 0080, 0087, 0121, 0122, 0128, 0138, 0157, 0202, 1035, 1121, 1138, 1157, 2121, 3035.			
222D	846337	Bracket-Control Used on Type No(s). 0211.						
226	841613	Rod-Choke						

Carburetor Overhaul Kit - Reference 121
Engine Gasket Set - Reference 358

Valve Gasket Set - Reference 1095

REF. NO.	PART NO.	DESCRIPTION	REF. NO.	PART NO.	DESCRIPTION	REF. NO.	PART NO.	DESCRIPTION
304A	845894	Housing-Blower (Oil Cooler) (UL) Used on Type No(s). 0184, 0198, 0200, 1174, 1184, 2184.			2194. ----- Note ----- 845731 Armature- Magneto (Cylinder #2) Used on Type No(s). 0020, 0022, 0082, 0085, 0193, 0194, 1313, 2112, 2193, 2194.	385A	807084	Screw (Fuel Pump) (M6x14mm)
304B	845301	Housing-Blower (Non Oil Cooler) (Used After Code Date 11041700). ----- Note ----- 809959 Housing- Blower (Non Oil Cooler) (Used Before Code Date 11041800).	334	692066	Screw (Magneto Armature) (M4x23mm)	387	844087	Pump-Fuel (Mechanical Pump)
305	807435	Screw (Blower Housing) (M6x20mm)	337	491055s	Plug-Spark (RC12YC) (Silver Terminal) ----- Note ----- 792015 Plug-Spark (XC92YC) (EMS) (Gold Terminal)	387A	844527	Pump-Fuel (Pulse Pump)
309	845760	Motor-Starter			691043 Plug-Spark (QC12YC) (EMS) (Gold Terminal) Used on Type No(s). 0184, 0198, 0200, 1174, 1184, 2184.	400A	846489	Cooler-Oil (Used Before Code Date 14030100).
318	841233	Screw (Mounting Bracket) (M6x10mm)	344	841233	Screw (Cable Clamp)	400B	846249	Cooler-Oil (Used After Code Date 14022800).
333	845126	Armature-Magneto (Used After Code Date 10012800).	355	844035	Washer (Muffler Bracket) (Flat Washer)	404	809436	Washer (Governor Crank)
333A	843860	Armature-Magneto (Offset Key) (Aluminum) (Used Before Code Date 10012900).	357	691483	Key-Drive Pulley Used on Type No(s). 0021, 0054, 0202, 1193.	405	841233	Screw (Back Plate)
333B	845601	Armature-Magneto (Cylinder #1) Used on Type No(s). 0006, 0007, 0011, 0012, 0023, 0030, 0032, 0039, 0040, 0041, 0043, 0044, 0218. ----- Note ----- 845602 Armature- Magneto (Cylinder #2) Used on Type No(s). 0006, 0007, 0011, 0012, 0023, 0030, 0032, 0039, 0040, 0041, 0043, 0044, 0218. 845308 Armature- Magneto (Cylinder #1) Used on Type No(s). 0020, 0022, 0082, 0085, 0193, 0194, 1313, 2112, 2193,	358	841122	Gasket Set-Engine	415	794903	Plug
			363	19203	Puller-Flywheel	417	841233	Screw (Oil Cooler) (Bottom) (M6x10mm)
			365	807437	Screw (Carburetor) (M6x85mm)	417A	843345	Screw (Oil Cooler) (M6x8mm) (Used Before Code Date 13072700).
			365A	841853	Screw (Carburetor) (M6x103mm)	417B	846250	Screw (Oil Cooler) (M6x16mm) (Top) (Used After Code Date 14022800).
			377	691639	Key-Woodruff	431	841539	Elbow-Intake
			383	19576s	Wrench-Spark Plug	431A	843116	Elbow-Intake (Used After Code Date 06062200). ----- Note ----- 841854 Elbow-Intake (Used Before Code Date 06062300).
			385	809876	Screw (Fuel Pump) (M5x22mm)	431B	845505	Elbow-Intake
						431C	845920	Elbow-Intake
						431D	809896	Elbow-Intake
						436	842263	Manifold-Exhaust Used on Type No(s). 0131, 1131. ----- Note ----- 841681 Manifold- Exhaust Used on Type No(s). 0019.

Carburetor Overhaul Kit - Reference 121
Engine Gasket Set - Reference 358

Valve Gasket Set - Reference 1095

613400

REF. NO.	PART NO.	DESCRIPTION	REF. NO.	PART NO.	DESCRIPTION	REF. NO.	PART NO.	DESCRIPTION
437	809743	Screw (Exhaust Manifold) (M8x25mm)	493	842713	Bracket-Mounting (Speed Sensor)	601D	845209	Clamp-Hose (Oil Cooler Hose)
437A	846149	Screw (Exhaust Manifold) (M8x25mm) Used on Type No(s). 0006, 0007, 0011, 0012, 0022, 0023, 0030, 0032, 0039, 0040, 0041, 0043, 0044, 0082, 0214, 0218, 2112, 2121, 2193, 2194.	493A	845619	Bracket-Mounting (Fuel Line)	607	841233	Screw (Air Cleaner Brace) (M6x10mm)
439	692154	O Ring-Oil Gallery (Crankcase Cover/Sump)	500	691086	Washer (Key Switch)	613	692062	Screw (Muffler) (M8x18mm)
439A	846027	O Ring-Oil Gallery (Crankcase Cover/Sump) Used on Type No(s). 1175. (Used After Code Date 14021700). ----- Note ----- 846027 O Ring- Oil Gallery (Used Before Code Date 13072200).	501	691573	Regulator	615	809533	Retainer- Governor Shaft (Cylinder)
445	841497	Filter- Air Cleaner Cartridge	501A	841170	Regulator	615A	698290	Retainer- Governor Shaft (Crankcase Cover/Sump)
445A	821136	Filter- Air Cleaner Cartridge	504	846156	Washer Set-Friction (Speed Adjuster Lever)	616	844180	Crank-Governor
445B	692519	Filter- Air Cleaner Cartridge	505	844752	Nut (Governor Control Lever)	633	809641	Seal- Choke/Throttle Shaft (Throttle Shaft)
448	841504	Bracket-Oil Cooler	506	809957	Screw (Carburetor Cover) (Used Before Code Date 11041800).	633A	809638	Seal- Choke/Throttle Shaft (Choke Shaft #1) (Neutral) (Used Before Code Date 10081700).
448A	845593	Bracket-Oil Cooler (Used Before Code Date 14030100).	523	841007	Dipstick	633B	809644	Seal- Choke/Throttle Shaft (Choke Shaft #2) (Used Before Code Date 10081700).
448B	842223	Bracket-Oil Cooler (Used Before Code Date 14041800).	526	690717	Screw (Regulator) (M6x30mm)	635	692076	Boot-Spark Plug
467	846008	Knob-A/C Cover (M8)	527	690423	Clamp-Tube	643	844932	Retainer-Air Filter
467A	841846	Knob-A/C Cover (M6)	529	690744	Grommet (Magneto Armature Wires)	646	841849	Brace-Air Cleaner
467B	846007	Knob-A/C Cover (M8)	534	692062	Screw (Air Cleaner)	664	691087	Nut (Key Switch)
467C	844618	Knob-A/C Cover (M6)	536	809670	Cleaner-Air	668	841974	Spacer (Blower Housing)
468	690690	Seal-O Ring (Oil Pump Screen)	541	841525	Washer (Speed Adjuster Lever) (Flat Washer)	691	809287	Seal-Governor Shaft
474	696579	Alternator	541A	841526	Washer (Speed Adjuster Lever) (Wave Washer)	708	841301	Seal-O Ring (Breather Reed)
474A	841178	Alternator	561	806447	Nut (Control Lever)	711	807385	Screw (Carburetor Shield) (M6x35mm)
479	807084	Screw (Oil Pump Screen)	562	843344	Bolt (Governor Control Lever)	717	841886	Bracket-Air Cleaner
490	843433	Bearing-Magneto Side	573	842712	Plate-Back	717A	842730	Bracket-Air Cleaner
			580	809894	Seal-O Ring (Oil Fill Cap)	718	690959	Pin-Locating (Cylinder)
			582	809878	Clamp-Air Cleaner	718A	809508	Pin-Locating (Cylinder Head)
			587	807386	Clamp-Cable			
			587A	807116	Clamp-Cable (Purge Line Hose)			
			596	691492	Screw (Oil Pump)			
			601	841499	Clamp-Hose (Breather Tube)			
			601A	841597	Clamp-Hose (Oil Cooler Hose)			
			601B	791850	Clamp-Hose (Green)			
			601C	691038	Clamp-Hose (Black)			

Carburetor Overhaul Kit - Reference 121
Engine Gasket Set - Reference 358

Valve Gasket Set - Reference 1095

REF. NO.	PART NO.	DESCRIPTION	REF. NO.	PART NO.	DESCRIPTION	REF. NO.	PART NO.	DESCRIPTION
718B	845925	Pin-Locating (Cylinder) Used on Type No(s). 0006, 0007, 0011, 0012, 0022, 0023, 0030, 0032, 0039, 0040, 0041, 0082, 0214, 0218, 2193, 2194.	789J	845927	Harness-Wiring Used on Type No(s). 0007, 0023, 0194, 2194.	868	691963	Seal-Valve
725	841132	Shield-Heat (Black)	789K	845923	Harness-Wiring Used on Type No(s). 0020, 0157, 1157, 1313.	871	692057	Bushing-Valve Guide
725A	844338	Shield-Heat	798	691492	Screw (Rocker Arm)	875	843118	Base-Air Cleaner (Used After Code Date 06062200).
728	692067	Screw (Heat Shield) (M6x12mm)	806	807357	Screw (Lifting Bracket)	875A	841851	Base-Air Cleaner (Used Before Code Date 06062300).
740	690941	Nut (Muffler Bracket)	813	807376	Clamp	879	809955	Cover-Carburetor
741	809432	Gear-Timing	819	692062	Screw (Muffler Bracket) (M8x18mm)	883	809872	Gasket-Exhaust
750	841233	Screw (Oil Pump Cover)	819A	807362	Screw (Muffler Bracket) (M8x50mm)	884	841968	Clamp-Muffler Used on Type No(s). 0131, 1131.
788	844528	Bracket-Fuel Pump	819B	690932	Screw (Muffler Bracket) (M5x10mm)	884A	843624	Clamp-Muffler Used on Type No(s). 0151, 0161, 0163, 1151, 1161, 1313, 2151, 2161, 2163.
789	809906	Harness-Wiring	829	846155	Hose-Oil Cooler	887	845594	Stud (Support Bracket)
789A	809967	Harness-Wiring	829A	846054	Hose-Oil Cooler (Used Before Code Date 14052300).	889	845918	Tee
789B	843364	Harness-Wiring (Fuel Solenoid)	829B	846247	Hose-Oil Cooler (Used After Code Date 14022800).	890	809987	Bracket-Support (Rotating Screen)
789C	843612	Harness-Wiring Used on Type No(s). 0016, 0083, 0148, 0192, 2130, 2140, 2192, 2200.	829C	846248	Hose-Oil Cooler (Used After Code Date 14022800).	890A	841614	Bracket-Support
789D	843613	Harness-Wiring Used on Type No(s). 0006, 0011, 0012, 0016, 0022, 0030, 0032, 0039, 0040, 0041, 0082, 0148, 0157, 0192, 0193, 0194, 0214, 0218, 1157, 2130, 2140, 2192, 2193, 2194, 2200.	832	841682	Guard-Muffler Used on Type No(s). 0131, 1131.	892	692318	Switch-Key (Includes Key Switch Label)
789F	844532	Harness-Wiring Used on Type No(s). 0011, 0012, 0022, 0030, 0040, 0041, 0082, 0193, 0194, 2193, 2194.	836	841233	Screw (Muffler Guard) Used on Type No(s). 0131, 1131.	893	845758	Nut (Starter Solenoid)
789G	845926	Harness-Wiring Used on Type No(s). 0214, 2200.	843	809672	Sleeve-Lever (Control Bracket)	914	807357	Screw (Rocker Cover)
789H	845603	Harness-Wiring Used on Type No(s). 0006, 0032, 0039, 0218.	843A	842745	Sleeve-Lever (Speed Adjuster Lever)	918	844525	Hose-Vacuum (Formed) (Cut to Required Length)
			849	691088	Screw (Stub Shaft)	920	845757	Solenoid-Starter
			863	843487	Bracket-Muffler (Center Outlet) (Mud Boat Application)	934	841205	Screw (Fan Retainer) (M6x24mm)
						943	842538	Seal-O Ring (Oil Pump Cover)
						947	842109	Solenoid-Fuel
						955	691511	Plug-Carburetor
						964	590799	Cap-Connector
						964A	809640	Cap-Carburetor
						965	809422	Cover-Oil Pump
						967	692520	Filter-Pre Cleaner
						968	841847	Cover-Air Cleaner
						968A	842621	Cover-Air Cleaner

Carburetor Overhaul Kit - Reference 121
Engine Gasket Set - Reference 358

Valve Gasket Set - Reference 1095

613400

REF. NO.	PART NO.	DESCRIPTION	REF. NO.	PART NO.	DESCRIPTION	REF. NO.	PART NO.	DESCRIPTION
968B	846323	Cover-Air Cleaner (Used After Code Date 14052900). Used on Type No(s). 0007, 0011, 0012, 0022, 0023, 0030, 0040, 0041, 0219. ----- Note ----- 843447 Cover-Air Cleaner (Used Before Code Date 14053000). Used on Type No(s). 0007, 0011, 0012, 0022, 0023, 0040, 0041, 0219.	1036		Label-Emissions (Available From A Briggs & Stratton Authorized Dealer)	1174	842067	Nut (Intake Manifold)
			1047	841304	Shaft-Stub Used on Type No(s). 0017, 0020, 0080, 0081, 0084, 0126, 0163, 0174, 0182, 1126, 1182, 2140, 2163, 2174, 2182. ----- Note ----- 843342 Shaft-Stub Used on Type No(s). 0015, 0083, 0116, 0163, 0187, 1202, 2116.	1184	690939	Nut (Support Bracket)
975	842106	Bowl-Float	1054	280275	Tie-Cable	1212	809958	Stud (Blower Housing)
987	809639	Seal-Throttle Shaft	1058	279773TRI	Operator's Manual	1315	809905	Hose-Air Cleaner
990	691959	Key Set			----- Note ----- 279773WST Operator's Manual	1319	794467	Label-Warning
996	846006	Shield-Carburetor (M8 Stud) (Used After Code Date 14012700).			279773ZH Operator's Manual (Chinese)	1328	809907	Cap-A/C Rain
996A	846013	Shield-Carburetor (M8 Stud) (Used After Code Date 06062200 and Before Code Date 14012800).			80005373TRI Operator's Manual (Model 6134 Vanguard)	1330	272144	Repair Manual
996B		Shield-Carburetor (NO LONGER AVAILABLE) (M6 Stud) (Used Before Code Date 06062300).	1059	698516	Kit-Screw/Washer (Alternator)	1331	809894	Seal-O Ring (Fuel Pump)
1005	809950	Fan-Flywheel	1059A	845300	Kit-Screw/Washer (Carburetor Cover) (Used After Code Date 11041700).	1332	809948	Washer (Rotating Screen)
1006	809999	Retainer-Fan	1070	807435	Screw (Flywheel Fan) (M6x20mm)	1334	807435	Screw (Air Guide) (M6x20mm)
1009	690711	Screw (Starter Motor) (M8x38mm)	1077	809729	Bracket-Lifting	1334A	841233	Screw (Air Guide) (M6x10mm)
1013	841602	Nipple-Oil Filter	1091	691515	Cap-Limiter	1334B	807084	Screw (Air Guide) (M6x14mm)
1013A	809505	Nipple-Oil Filter Used on Type No(s). 0018.	1095	843713	Gasket Set-Valve	1334C	690677	Screw (Air Guide) (M4x12mm)
1017	809421	Screen-Oil Pump	1100	791959	Pivot-Rocker Arm	1334D	807421	Screw (Air Guide) (M6x25mm)
1022	809732	Gasket-Rocker Cover	1119	691552	Screw (Alternator)	1335	690939	Nut (Blower Housing)
1023	809789	Cover-Rocker (Cylinder #2)	1127	809715	Screw (Float Bowl to Carburetor)	1336	841015	Shield-Wire Protective
1023A	809731	Cover-Rocker (Cylinder #1)	1130	841590	Stud (Intake Manifold)	1337	807382	Screw (Air Cleaner Bracket)
1024	845983	Pump-Oil	1155	806647	Washer (Oil Cooler) (Used Before Code Date 13072700).	1338	809334	Tray-Oil Drip Used on Type No(s). 0117, 0201, 1117.
1026	809783	Rod-Push (Intake and Exhaust)	1171	846324	Stud (Rocker Cover)	1339	807435	Screw (Oil Drip Tray) (M6x20mm)
1027	842921	Filter-Oil				1366	841510	Diverter-Oil Cooler
1029	690972	Arm-Rocker				1369	842858	Guard-Flywheel Fan
1029A	807323	Arm-Rocker				1370	841233	Screw (Flywheel Fan Guard)
						1371	841537	Nut (Flywheel Fan Guard)
						1372	809946	Stud (Rotating Screen)
						1373	841233	Screw (Oil Cooler Bracket) (M6x10mm)
						1374	841506	Seal-O Ring (Oil Cooler Diverter)

Carburetor Overhaul Kit - Reference 121
Engine Gasket Set - Reference 358

Valve Gasket Set - Reference 1095

613400

REF. NO.	PART NO.	DESCRIPTION	REF. NO.	PART NO.	DESCRIPTION	REF. NO.	PART NO.	DESCRIPTION
1376	806421	Screw (Breather/Reed Cover)	1413	844449	Sensor-Speed Used on Type No(s). 0003, 0083, 0084, 0129, 0130, 0136, 0148, 0192, 1129, 1130, 1136, 1199, 2129, 2130, 2136, 2140, 2192, 2199.	1425A	844712	Hose-Purge Line (Cut to Required Length)
1378	844795	Washer/Nut Set (Flywheel)				1425B	845717	Hose-Purge Line (Cut to Required Length) Used on Type No(s). 0020, 0085, 1313, 2112.
1398	842191	Cover-Fuel Pump						
1399	690932	Screw (Fuel Pump Cover)	1425	845919	Hose-Purge Line Used on Type No(s). 1194. (Cut to Required Length)	1444	845039	Kit- Choke Shaft Seal
1400	809894	Seal-O Ring (Fuel Pump Cover)						
1406	842623	Valve-Debris						

Carburetor Overhaul Kit - Reference 121
Engine Gasket Set - Reference 358

Valve Gasket Set - Reference 1095

